



To Protect and Promote the Health and the Environment of the People of Kittitas County

November 17th 2011

Dan Valoff, Staff Planner
Community Development Services
411 N Ruby Street, Suite 2
Ellensburg, WA 98926

RE: HC Trust Short Plat SP-11-00011

Dear Mr. Valoff,

Thank you for the opportunity to comment on the HC Trust Short Plat, SP-11-00011.

Plat Note Statement:

The final plat notes shall include the following statement:

"The approval of this division of land includes no guarantee that there is a legal right to withdraw groundwater within the land division. The approval of this division of land provides no guarantee that use of water under the ground water exemption (RCW 90.44.050) for this plat or any portion thereof will not be subject to curtailment by the Department of Ecology or a court of law."

AND in Upper Kittitas County Only (as defined in 173-539A WAC):

"Metering will be required on all new residential well connections and metering results shall be recorded in a manner consistent with Kittitas County and Washington State Department of Ecology requirements."

Adequate Potable Water Supply Statement:

In addition to the requirements outlined below, if in Upper Kittitas County a water budget neutrality determination may be required from the Department of Ecology prior to Kittitas County Public Health being able to recommend final plat approval.

Regardless of the location of the plat within the county, the following requirements are applicable to both Upper and Lower Kittitas County:

The Public Health Department's recommendation shall state that final approval be conditioned upon the developer/owner of the plat providing proof of potable water. Proof of potable water can be provided through several different ways depending on the source of water proposed as described and outlined in the Board of County Commissioners Resolution 2010-082.

Kittitas County
Public Health Department
507 N. Nanum Street, Suite 102
Ellensburg, WA 98926
T: 509.962.7515
F: 509.962.7581



www.co.kittitas.wa.us/health/

Environmental
Health Services
507 N. Nanum Street, Suite 102
Ellensburg, WA 98926
T: 509.962.7515
F: 509.962.7581

For preliminary plat approval, applicants for subdivisions (short plats and long plats) in Kittitas Count shall include the type of water system proposed in order to acquire preliminary approval.

Final approval will be conditioned upon the type of water system proposed.

- **If application states that residences will utilize Individual Wells/2-party Shared Well:**

Applicants shall submit a well log(s) from a well located within the subdivision of land. If a well log does not exist, a four (4) hour well draw down test shall be provided prior to recommendation by KCPHD for final plat approval. If shared wells are proposed, a recorded shared well user's agreement is required for each proposed parcel. If the proposed subdivision does not have an existing well within the boundaries, a hydrogeological report with documentation/evidence to support a claim regarding adequate availability of groundwater for the proposed number of potable water wells must be submitted prior to recommendation for final plat approval. This report shall be submitted by a Professional Engineer who practices in the field of hydrology or by a licensed hydrogeologist.

- **If application states that residences will utilize a Group B Public Water System:**

Applicants shall have a well site inspection performed by KCPHD staff; complete and submit a Group B Public Water System Workbook to either KCPHD for water systems with 3-9 connections or Washington State Department of Health (DOH) for water systems with 10-14 connections or as amended by DOH; have the well(s) drilled; and submit a copy of an agreement with an approved Kittitas County Satellite Management Agency. All infrastructure for the Group B Water System including the well/pump house and storage tanks must be completed or the developer/owner can bond for completion. Final approval of the Group B Public Water System including issuance of the public water system ID number from DOH is required prior to recommendation by KCPHD for final approval. If a bond is in place, final approval will still be recommended but all infrastructure must be completed before issuance of the first building permit within the subdivision.

- **If application states that residences will utilize a Group A Public Water System:**

Applicants shall submit a signed letter of agreement between the public water system purveyor or official and the land developer/owner granting delivery of potable water for the entire development. If the public water system is being developed specifically for the subdivision/plat, the water system must be approved by Washington State Department of Health (DOH), including issuance of a public water system ID number, prior to recommendation by KCPHD for final plat approval.

Septic Availability Statement:

The Public Health Department's recommendation shall state that preliminary approval be conditioned upon the developer/owner of the plat providing satisfactory sewage disposal. Satisfactory sewage disposal can be provided through several different ways depending on the source of disposal proposed.

If application states that residences will be connected to public sewer system:

In order to recommend approval, The Public Health Department will need a signed letter from the sewer district stating that the proposed project's connection will be allowed.

If on-site sewage systems are proposed for the plat and minimum lot sizes are satisfied:

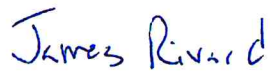
Soil logs must be performed prior to the Public Health Department recommending preliminary approval of the plat application. Once the soil logs are conducted and approved by the Public Health Department, the requirement for septic availability will have been satisfied.

Review of the Application File:

At this point in time this application does not contain sufficient information to make a determination that there is an adequate potable water supply available and soil logs have not been conducted to verify soil conditions for on-site sewage systems. The above mentioned requirements need to be satisfied and the appropriate documentation needs to be submitted to the Public Health Department for review and approval in order for the plat application to be recommended for final approval.

If you should have any questions or comments, please feel free to contact me at (509) 962-7515.

Sincerely,



James Rivard,
Environmental Health Supervisor
Kittitas County Public Health Department

Enc: KCPHD Soil Log Fact Sheet

CC: H&C Trust, 1290 Christensen Road , Ellensburg, WA 98926

Phil Cardwell @ threeblackdogs@netscape.com

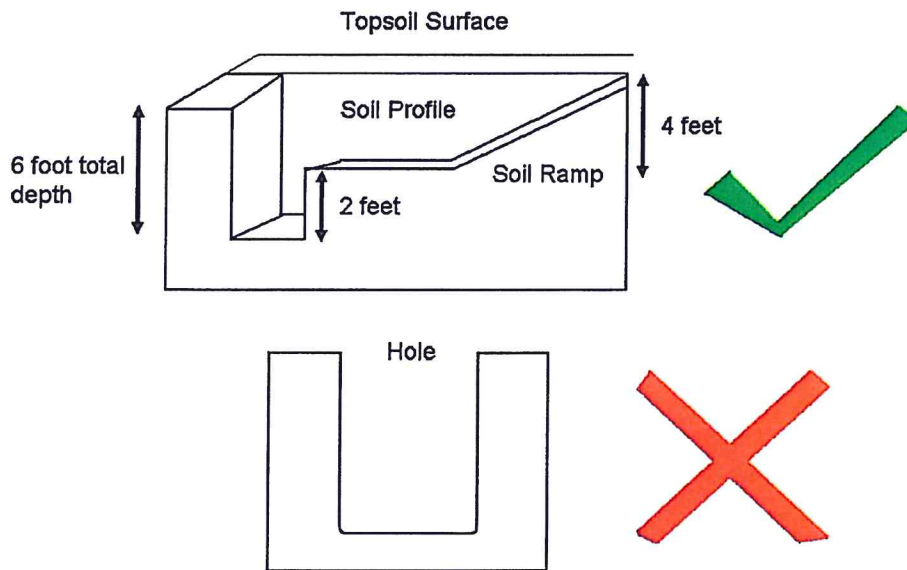
Encompass Engineering and Surveying via email @ ginger@encompasses.net

Purpose: The purpose of a soil log is to ensure that future property owners can be assured that they will be able to install a septic system on the property. A soil log is performed to ensure that suitable depth and type of soil is present on the property prior to preliminary plat approval.

Since the type of soil and water source supplying the property can ultimately determine the minimum lot size, soil logs are required before a recommendation for preliminary plat approval can be made.

Requirements: In order for a soil log to be conducted, test holes must meet specific criteria according to Chapter 246-272A-0320 WAC, Kittitas County Code and Labor and Industries safety standards.

- 1) A minimum of one soil log per lot shall be dug to a depth of six feet, unless an impermeable layer such as bedrock, hardpan clay, or the existing water table prevents such a depth from being obtained. In some instances, additional holes may be required to determine if the minimum standards for septic support are present on the lot.
- 2) The design of a test hole shall be sloped to four feet beneath surface, leveled and then dug down an additional two feet for a total depth of six feet (see the diagram below for reference). Such a test hole is designed to prevent possible injury as a result of the surrounding soil bank collapsing into the test hole and to grant the local health officer ease of access to the soil profile.
- 3) In order to sub-divide property at least twelve inches of native, suitable soil must be present at the time the soil log is performed.
- 4) A soil log does not constitute a site-evaluation. A site evaluation determines the type of septic system required. A soil log only determines whether soils present on the property can support a septic system.



Minimum Land Area Requirements: According to the WAC 246-272A-0320 Table X (provided below) the minimum land area requirement from a public health perspective for subdivision of property is determined by the source of the drinking water and the soil type present to support an on-site sewage system. These guidelines have been put in place to protect human health and the environment from the potential health hazards that an on-site sewage system imposes. The type of water source available and soil type present must be determined by the local health officer. However, other minimum land area requirements may be subject to local government zoning regulations and restrictions, and it is advisable that property land owners seek advice from Community

Development Services at (509) 962-7506 for assistance in this area.

TABLE X
Minimum Land Area Requirement
Single-Family Residence or Unit Volume of Sewage

Type of Water Supply	Soil Type (defined by WAC 246-272A-0220)					
	1	2	3	4	5	6
Public	0.5 acre	12,500 sq. ft.	15,000 sq. ft.	18,000 sq. ft.	20,000 sq. ft.	22,000 sq. ft.
	2.5 acre ¹					
Individual, on each lot	1.0 acre	1 acre	1 acre	1 acre	2 acres	2 acres
	2.5 acres ¹					

¹ See WAC 246-272A-0234(6).

Other Considerations: Since open holes present a potential danger to people, livestock, wild animals, and vehicles, it is advisable that such a hole be roped off or covered to prevent unwanted entry or marked to caution and facilitate finding. After the soil log has been performed the hole may be filled in by the property owner or contractor to eliminate the potential hazard.

Scheduling a soil log: Currently, soil logs are performed on a weekly basis by an Environmental Health Specialist. To schedule a soil log please contact the Kittitas County Public Health Department Office located at 507 N Nanum Street, Suite 102 or call (509) 933-8262 to arrange an appointment.